

MD-D04

Access Controller Expansion Board Installation Manual

January 2013

1. Introduction

The MD-D04 is an optional expansion board for use with Rosslare Security's family of state-of-the-art AC-425 networked access controllers.

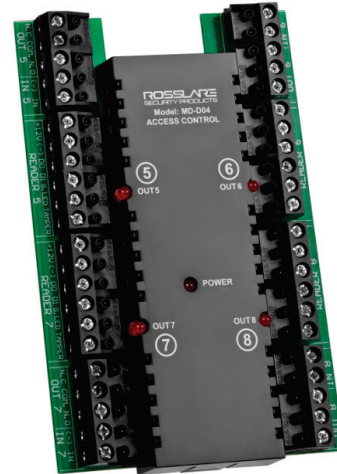
The expansion board adds an additional four reader or keypad inputs; four relay outputs and four supervised inputs to the access control panel.

As a result, an access control panel with an MD-D04 expansion can support a total of eight readers and eight door panels. In addition, it is possible to add any keypad or biometric reader that supports the Wiegand or Clock & Data transmission formats.

The host access controller has complete control over the additional readers, inputs and outputs of the MD-D04 expansion board. The inputs and outputs can be configured using an access control software system such as Rosslare Security's AxTraxNG™. The software system also configures the MD-D04's reader card transmission format and input connection topology.

This guide explains how to install and begin working with your new MD-D04 access control panel expansion board.

Figure 1: MD-D04 Access Controller Expansion Board



2. Technical Specifications

2.1 Electrical Characteristics

MD-D04 Input Voltage	12 VDC
MD-D04 Input Current (not including attached devices)	Standby: 30 mA Maximum: 190 mA
Number of Reader Ports	4
Number of Inputs	4
Number of Outputs	4
Output Relays	5 A with N.O., N.C., and COM contacts Form-C Relays
Inputs Voltage	5 VDC maximum voltage

2.2 Input Characteristics

Input Type:	Selectable as: <ul style="list-style-type: none">• Normally Open• Normally Closed• Supervised with one resistor (three states, normally open or normally closed)• Supervised with two resistors (four states, Normally Open or Normally Closed)
--------------------	--

2.3 Physical Characteristics

Dimensions (L x W x D)	116 x 76 x 22 mm (4.57 x 2.99 x 0.87 in.)
Weight:	75 g (0.17 lbs.)

2.4 Reader Characteristics

Reader Output Voltage:	12 VDC
Max. Reader Current:	245 mA
LED Control Output:	Open collector, Active low
Tamper Input:	5 VDC maximum voltage, optical anti-tamper sensor
Supported Formats:	Various (refer to the AxTraxNG™ software manual)

2.5 LED Indicators

Power LED:	Active when connected to a power source
Output LEDs:	Four LEDs Each output LED is active when an output relay is energized and N.O. to COM contacts are shorted.

3. Installation

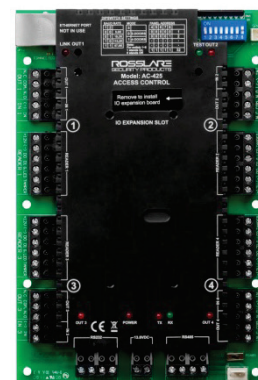
Figure 2 shows how host access control panel looks before the MD-D04 is attached.

3.1 Attaching the MD-D04

1. Disconnect power to the access control panel before attaching the MD-D04.
2. Remove the MD-D04 cover by lightly pulling one of the cover knobs away from the circuit board. The entire cover comes away from the board.
3. Peel off the label on the cover of the panel marked "Remove to install I/O board". The label is located on the same side of the panel as the DIP switch.
4. Insert the 10-pin male connector of the MD-D04 into the gap in the panel cover labeled "IO EXPANSION SLOT" (Figure 2). The text on the MD-D04 must face the same way as the text on the panel cover.
5. Tighten the screws securing the cover to the access control panel, and the four Philips screws on the MD-D04 circuit board.

6. Replace the cover on the expansion board, using it as a guide to ease the MD-D04 into the panel's 10-pin female connector.

Figure 2: Host Access Control Panel without MD-D04 Expansion



4. Wiring Instructions

4.1 Input Wiring Options

There are six input wiring options:

- Normally Open
- Normally Closed
- Normally Open Supervised with one or two resistors
- Normally Closed Supervised with one or two resistors
- Normally Open Switch
- Normally Closed Switch

Figure 3 shows the normally open input connection.

Figure 3: Normally Open Input

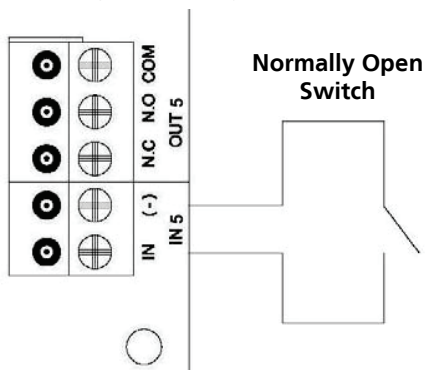


Figure 4 shows the normally closed input connection.

Figure 4: Normally Closed Inputs

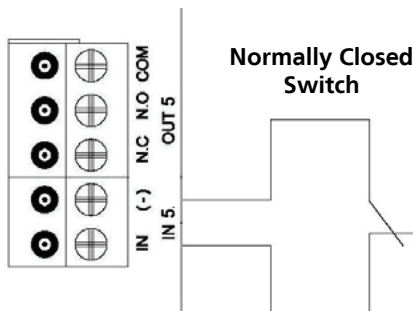
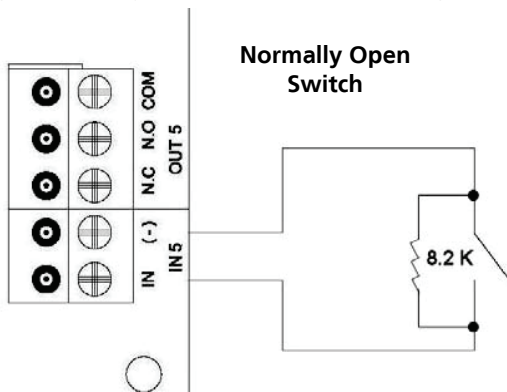


Figure 5 shows the normally open supervised input connection with single resistor.

Figure 5: Normally Open Supervised Inputs with Single Resistor



Normally Open Supervised inputs with one resistor must be connected with an 8.2K resistor in parallel to the input switch contacts.

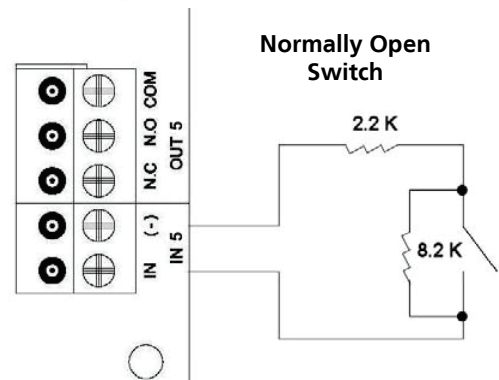


Always wire resistors on the input switch and not on the terminal block.

Note

Figure 6 shows the normally open supervised input connection with double resistor.

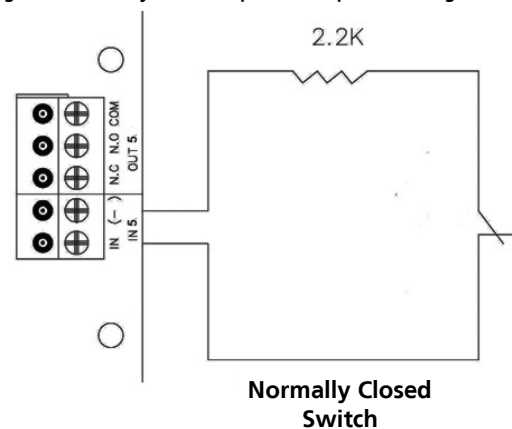
Figure 6: Normally Open Supervised Inputs with Double Resistor



Normally Open Supervised inputs with two resistors must be connected with an 8.2K resistor in parallel and a 2.2K resistor in series to the input switch contacts.

Figure 7 shows the normally closed supervised input connection with single resistor.

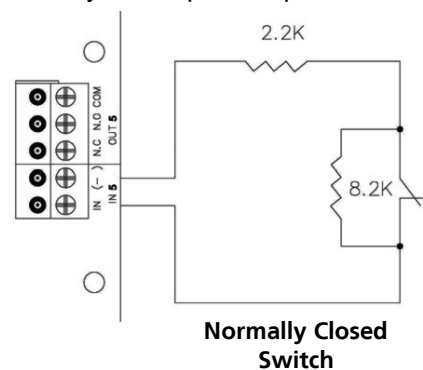
Figure 7: Normally Closed Supervised Input with Single Resistor



Normally Closed Supervised inputs with a single resistor must be connected with a 2.2K resistor in series to the input switch contacts.

Figure 8 shows the normally closed supervised input connection with double resistor.

Figure 8: Normally Closed Supervised Input with Double Resistors



Normally Closed Supervised inputs with two resistors must be connected with an 8.2 K resistor in parallel and a 2.2 K resistor in series to the input switch contacts.

4.2 Outputs

Electrical devices can be switched using the voltage free relay contacts. Rosslare recommends using suppression diodes for all outputs that are connected to inductive loads and activated by DC current, such as Magnetic Lock ("Maglock") or door strike devices.

Each suppression diode must be connected near its inductive load. Always attach the diode's cathode to the +V terminal of the load. Attach the diode's anode to the -V terminal.

For more information, refer to your access controller's Installation and User Guide.

4.3 Readers

The reader terminal supports the reader's two data lines. For Wiegand readers, these are data lines D0 and D1. For Clock & Data readers, D0 is the DATA line and D1 is the CLOCK line.

There is also support for a tamper signal input from the reader and for one LED control output to the reader.

Proximity and keypad readers are supplied with a limited cable. The color of the cable cover represents the cable's function.

In general, the cable length should be no more than 150 m with an 18 AWG cable. Refer to each reader's installation guide for specific details.

Readers connected through an MD-D04 are recognized as "Reader 5", "Reader 6", "Reader 7", and "Reader 8" in the software system.

Figure 9 through Figure 12 show the wiring for Readers 5 through 8, respectively.

Figure 9: Wiring for Reader 5

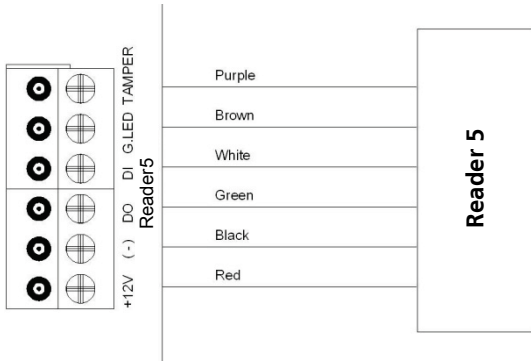


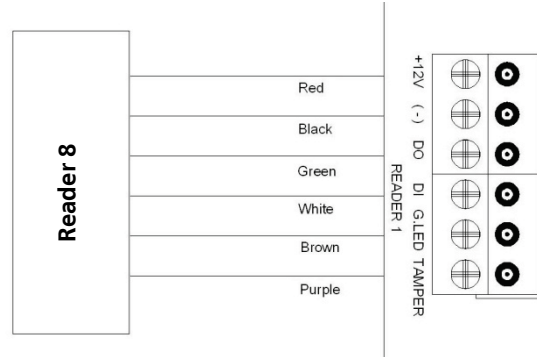
Figure 10: Wiring for Reader 6



Figure 11: Wiring for Reader 7



Figure 12: Wiring for Reader 8



5. Using the MD-D04

5.1 Operating the MD-D04

The access control panel detects the MD-D04 expansion board when it powers up. When defining the panel in the access control panel's PC application (such as AxTraxNG™), select the option designating the panel name with a designation of "MD-D04".

Readers, inputs, and outputs must be defined using the access system software. Readers connected through an MD-D04 are recognized as "Reader 5", "Reader 6", "Reader 7", and "Reader 8" in the software system.

Define each input's type and make sure the connection is compatible with the input wiring.

When selecting inputs and outputs from the software, note that input and output type and function in the access control software normally reflect the host access control panel's general purpose inputs and outputs.

When using AxTrax, define input types from the "Inputs" tree menu. Input and output functions are defined using the "Links" element within each "Panel" tree menu item.

For more information, refer to the AxTrax Software Manual"

Limited Warranty

ROSSLARE ENTERPRISES LIMITED (ROSSLARE) TWO-YEAR LIMITED WARRANTY is applicable worldwide. This warranty supersedes any other warranty. ROSSLARE'S TWO-YEAR LIMITED WARRANTY is subject to the following conditions:

WARRANTY

Warranty of ROSSLARE'S products extends to the original purchaser (Customer) of the ROSSLARE product and is not transferable.

PRODUCTS COVERED BY THIS WARRANTY AND DURATION

ROSSLARE ENTERPRISES LTD. AND/OR SUBSIDIARIES (ROSSLARE) warrants the MD-D04 Access Controller I/O Expansion Board to be free from defects in materials and assembly in the course of normal use and service. The warranty period commences with the date of shipment to the original purchaser and extends for a period of 2 years (24 months).

WARRANTY REMEDY COVERAGE

In the event of a breach of warranty, ROSSLARE will credit Customer with the price of the Product paid by Customer, provided that the warranty claim is delivered to ROSSLARE by the Customer during the warranty period in accordance with the terms of this warranty. Unless otherwise requested by a ROSSLARE representative, return of the failed product(s) is not immediately required.

If ROSSLARE has not contacted the Customer within a sixty (60) day holding period following the delivery of the warranty claim, Customer will not be required to return the failed product(s). All returned Product(s), as may be requested at ROSSLARE'S sole discretion, shall become the property of ROSSLARE.

To exercise the warranty, the user must contact ROSSLARE Enterprises Ltd. to obtain an RMA number after which, the product must be returned to the Manufacturer freight prepaid and insured.

In the event ROSSLARE chooses to perform a product evaluation within the sixty (60) day holding period and no defect is found, a minimum US\$ 50.00 or equivalent charge will be applied to each Product for labor required in the evaluation.

ROSSLARE will repair or replace, at its discretion, any product that under normal conditions of use and service proves to be defective in material or workmanship. No charge will be applied for labor or parts with respect to defects covered by this warranty, provided that the work is done by ROSSLARE or a ROSSLARE authorized service center.

EXCLUSIONS AND LIMITATIONS

ROSSLARE shall not be responsible or liable for any damage or loss resulting from the operation or performance of any Product or any systems in which a Product is incorporated. This warranty shall not extend to any ancillary equipment not furnished by ROSSLARE, which is attached to or used in conjunction with a Product, nor to any Product that is used with any ancillary equipment, which is not furnished by ROSSLARE.

This warranty does not cover expenses incurred in the transportation, freight cost to the repair center, removal or reinstallation of the product, whether or not proven defective.

Specifically excluded from this warranty are any failures resulting from Customer's improper testing, operation, installation, or damage resulting from use of the Product in other than its normal and customary manner, or any maintenance, modification, alteration, or adjustment or any type of abuse, neglect, accident, misuse, improper operation, normal wear, defects or damage due to lightning or other electrical discharge. This warranty does not cover repair or replacement where normal use has exhausted the life of a part or instrument, or any modification or abuse of, or tampering with, the Product if Product disassembled or repaired in such a manner as to adversely affect performance or prevent adequate inspection and testing to verify any warranty claim.

ROSSLARE does not warrant the installation, maintenance, or service of the Product. Service life of the product is dependent upon the care it receives and the conditions under which it has to operate.

In no event shall ROSSLARE be liable for incidental or consequential damages.

LIMITED WARRANTY TERMS

THIS WARRANTY SETS FORTH THE FULL EXTENT OF ROSSLARE'S WARRANTY.

THE TERMS OF THIS WARRANTY MAY NOT BE VARIED BY ANY PERSON, WHETHER OR NOT PURPORTING TO REPRESENT OR ACT ON BEHALF OF ROSSLARE.

THIS LIMITED WARRANTY IS PROVIDED IN LIEU OF ALL OTHER WARRANTIES. ALL OTHER WARRANTIES EXPRESSED OR IMPLIED, INCLUDING WITHOUT LIMITATION, IMPLIED WARRANTIES OF MERCHANTABILITY AND FITNESS FOR A PARTICULAR PURPOSE, ARE SPECIFICALLY EXCLUDED.

IN NO EVENT SHALL ROSSLARE BE LIABLE FOR DAMAGES IN EXCESS OF THE PURCHASE PRICE OF THE PRODUCT, OR FOR ANY OTHER INCIDENTAL, CONSEQUENTIAL OR SPECIAL DAMAGES, INCLUDING BUT NOT LIMITED TO LOSS OF USE, LOSS OF TIME, COMMERCIAL LOSS, INCONVENIENCE, AND LOSS OF PROFITS, ARISING OUT OF THE INSTALLATION, USE, OR INABILITY TO USE SUCH PRODUCT, TO THE FULLEST EXTENT THAT ANY SUCH LOSS OR DAMAGE MAY BE DISCLAIMED BY LAW.

THIS WARRANTY SHALL BECOME NULL AND VOID IN THE EVENT OF A VIOLATION OF THE PROVISIONS OF THIS LIMITED WARRANTY.

Contact Information

Asia Pacific, Middle East, Africa

Rosslare Enterprises Ltd.
Kowloon Bay, Hong Kong
Tel: +852 2795-5630
Fax: +852 2795-1508
support.apac@rosslaresecurity.com

United States and Canada

Rosslare Security Products, Inc.
Southlake, TX, USA 76092
Toll Free: +1-866-632-1101
Local: +1-817-305-0006
Fax: +1-817-305-0069
support.na@rosslaresecurity.com

Europe

Rosslare Israel Ltd.
Rosh HaAyin, Israel 48091
Tel: +972 3 938-6838
Fax: +972 3 938-6830
support.eu@rosslaresecurity.com

Latin America

Rosslare Latin America
Buenos Aires, Argentina 1642
support.la@rosslaresecurity.com

China

Rosslare Electronics (Shenzhen) Ltd.
Shenzhen, China
Tel: +86 755 8610 6842
Fax: +86 755 8610 6101
support.cn@rosslaresecurity.com

India

Rosslare Electronics India Pvt Ltd.
Tel/Fax: 91 20 40147830
Mobile: 91 9975768824
sales.in@rosslaresecurity.com

www.rosslaresecurity.com



• EN ISO 13485



ROSSLARE
SECURITY PRODUCTS